

# EBV Series: How to order a low pressure accumulator

## Technical Characteristics

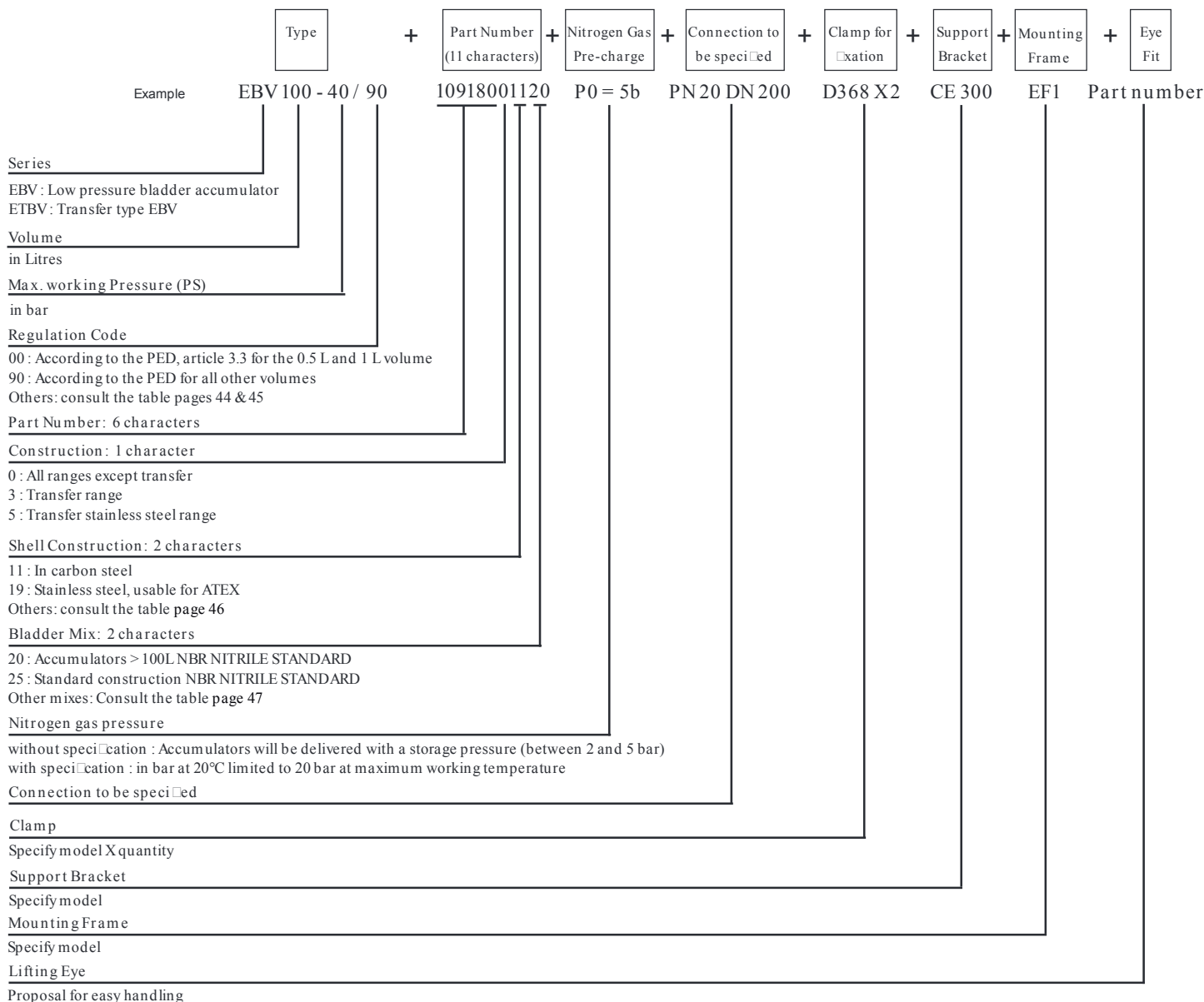
The accumulator comprises a forged or welded steel shell, a rubber bladder and anti-extrusion system.

- Shell material options include alloyed steel, stainless steel, aluminium, titanium and composites.
- Various bladder materials available which are compatible with a range of fluids and temperatures.
- Anti-extrusion system; perforated bushing.

Taking into account the different needs of various applications, Parker Olaer offers different protections external and/or internal: Bare metal, nickel plating, epoxy paint, PTFE, Rilsan® and phenolic

coating. This extensive range enables us to offer accumulators operating from -40 to +130°C with pressures of up to 80 Bar and capacities of up to 575 litres. ATEX versions are also available for some accumulators in fluid groups 1 or 2 as per Article 9 section 2.1 and 2.2 of PED.

As the market leader in bladder type accumulators, Parker Olaer has participated in the development of the EN 14359:2006 standard, which specifies the material, design, manufacturing, fatigue tests, safety devices and documentation (including the instruction manual), for pressure accumulators and gas bottles for hydraulic applications.



# EBV Series 50 & 80 BAR, Volume 0.5 to 5 Litres

Standard version (Carbon Steel shell/NBR mix) for mineral oils temperature from - 15° up to 100°C

According to PED 97/23/EC, Fluid Group 2

Part numbers, Accessories Dimensions

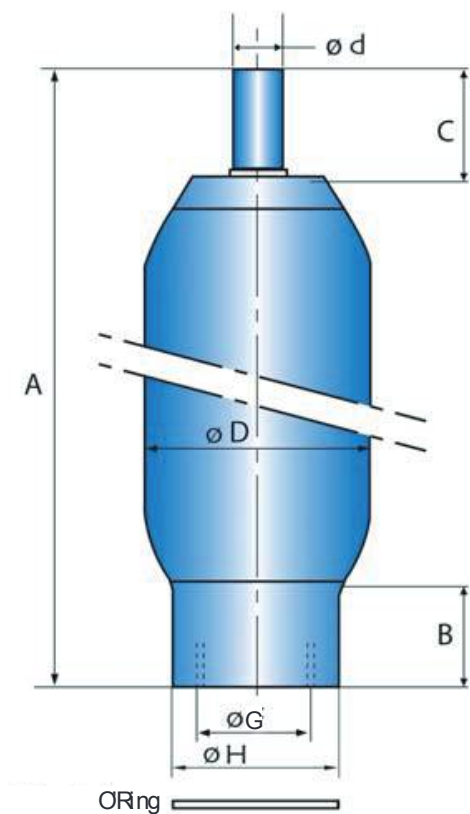
Type	Pre-charge	Adaptor	Flange		Clamps	Support Bracket	Complete Repair Kit
	1 - 20 bar		Model	Model			
Part number		Threaded Part number	Part number	Part number	Part number	Part number	Part number
EBV 0.5-50/00*		G 1" cyl	-	-	E95 (1)	-	KIT EBV 0.5-50/00
10383101125	751052	04557000223			20250803648		19002900225
EBV 1-80/00*		G 1" cyl	1½" ANSI 150 lbs	1½" ANSI 300 lbs	E114 (1)	CE 89	KIT EBV 1-80/00
10909801125	751053	04557000223	04542000123	04524100123	20251003648	20151903620	19044300225
EBV 2.5-80/90		G 1" cyl	1½" ANSI 150 lbs	1½" ANSI 300 lbs	E114 (2)	CE 89	KIT EBV 2.5-80/90
10909901125	751054	04557000223	04542000123	04524100123	20251003648	20151903620	19044400225
EBV 5-80/90		G 1" cyl	1½" ANSI 150 lbs	1½" ANSI 300 lbs	E114 (2)	CE 89	KIT EBV 5-80/90
10910001125	751056	04557000223	04542000123	04524100123	20251003648	20151903620	19044500225

\*according to the PED, article 3.3

Accumulators are delivered with the nitrogen pre-charge 3 bar.

□ e charging pressure for low pressure accumulators must never exceed 20 bar at the maximum operating temperature.

Type	Effective Gas vol. Litres	Max. Working pressure (PS) bar	Max Weight kg	O-ring $\varnothing$ int x $\varnothing$ tore	Dimensions in mm							
					A max height	B	C	$\varnothing D$ max	$\varnothing d$	$\varnothing H$	G connection	
EBV 0.5-50/00*	0.5	50	3	54x3	245	52	28	90	16	68	G2" cyl.	
EBV 1-80/00*	1	80	5	54x3	310	47	66	116	22.5	68	G2" cyl.	
EBV 2.5-80/90	2.3	80	10	54x3	484	47	66	116	22.5	68	G2" cyl.	
EBV 5-80/90	5	80	17	54x3	867	47	66	116	22.5	68	G2" cyl.	



Above dimensions are in mm and are subject to manufacturing tolerances.

# EBV Series 40 BAR, Volume 10 to 200 Litres

Standard Version (Carbon Steel shell/NBR mix) for mineral oils temperature from - 15° up to 100°C

According to PED 97/23/EC, Fluid Group 2

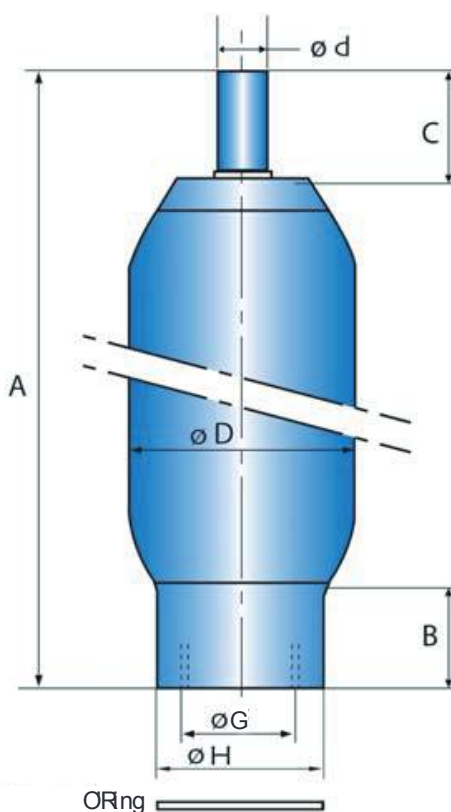
Part numbers, Accessories Dimensions

Type	Pre-charge	Adaptor	Flange		Clamps	Support Bracket	Lifting Eye	Complete Repair Kit
	1 - 20 bar		Threaded	Model				
Part number		Part number	Part number	Part number	Model (quantity) Part number	Model Part number	Model Part number	Model Part number
EBV 10-40/90 10910401125	751057	G 2" cyl 04570300223	4" ANSI 150 lbs 04500300123	4" ANSI 300 lbs 04520800123	D215 (2) 20251403648	CE 159A 20109003620	10912700200	KIT EBV 10-40/90 19043900225
EBV 20-40/90 10910501125	751058	G 2" cyl 04570300223	4" ANSI 150 lbs 04500300123	4" ANSI 300 lbs 04520800123	D215 (2) 20251403648	CE 159A 20109003620	10912700200	KIT EBV 20-40/90 19044000225
EBV 32-40/90 10910601125	751059	G 2" cyl 04570300223	4" ANSI 150 lbs 04500300123	4" ANSI 300 lbs 04520800123	D215 (2) 20251403648	CE 159A 20109003620	10912700200	KIT EBV 32-40/90 19044100225
EBV 50-40/90 11077501125	751060	G 2" cyl 04570300223	4" ANSI 150 lbs 04500300123	4" ANSI 300 lbs 04520800123	D215 (2) 20251403648	CE 159A 20109003620	10912700200	KIT EBV 50-40/90 19054700225
EBV 100-40/90 10918001120	751061	-	8" ANSI 150 lbs 04500800123	8" ANSI 300 lbs 04500900123	D368 (2) 20127403625	CE 300 20150800100	-	KIT EBV 100-40/90 19044600220
EBV 200-40/90 10918101120	751062	-	8" ANSI 150 lbs 04500800123	8" ANSI 300 lbs 04500900123	D368 (2) 20127403625	CE 300 20150800100	-	KIT EBV 200-40/90 19044700220

Accumulators are delivered with the nitrogen pre-charge 3 bar.

□ e charging pressure for low pressure accumulators must never exceed 20 bar at the maximum operating temperature.

Type	Effective Gas vol. Litres	Max. Working pressure (PS) bar	Max Weight kg	O-ring $\varnothing$ int x $\varnothing$ tore	Dimensions in mm							
					A max height	B	C	$\varnothing$ D max	$\varnothing$ d	G connection	$\varnothing$ H	
EBV 10-40/90	10	40	13	96x4	454	51	75	212	22.5	G3½" cyl.	120	
EBV 20-40/90	18	40	22	96x4	776	51	75	212	22.5	G3½" cyl.	120	
EBV 32-40/90	34	40	37	96x4	1307	51	75	212	22.5	G3½" cyl.	120	
EBV 50-40/90	50	40	51	96x4	1829	51	75	212	22.5	G3½" cyl.	120	
EBV 100-40/90	90	40	124	196.21x5.33	1317	158	93	371	80	M205x3	224	
EBV 200-40/90	207	40	215	196.21x5.33	2529	158	93	371	80	M205x3	224	



Above dimensions are in mm and are subject to manufacturing tolerances.

# ELG and OLG Series, 20 & 50 BAR

Standard Version (steel shell or stainless steel/ NBR mix) for mineral oils temperature from - 15° up to 100°C  
 According to PED 97/23/EC, EN 14359 Fluid Group 2  
 Part numbers, Accessories Dimensions

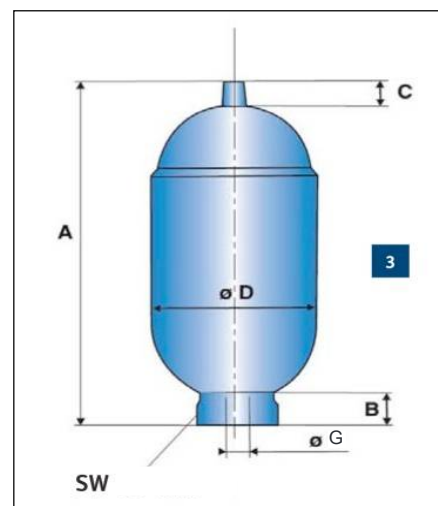
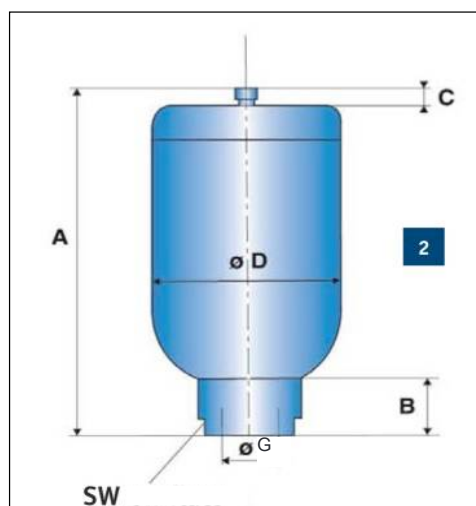
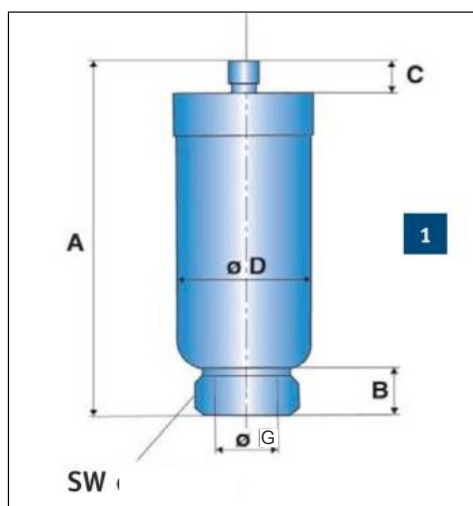
Type	Pre-charge	Clamps	
Part number	1 - 20 bar	Model (quantity) Part number	
OLG 0.13-50/00 (1) 10268401925	751011	-	
OLG 1-20/00 (2) 10411901125	751053	E106 (1) 20250903648	
ELG 4-20/90 3/4" (3) 10931201925	751055	E155 (1) 20251203648	
ELG 4-20/90 2" (3) 10931301925	751055	E155 (1) 20251203648	

(1) according to the PED, article 3.3 stainless steel

(2) according to the PED, article 3.3

(3) according to the PED stainless steel

Type	Effective Gas vol. Litres	Max. Working pressure (PS) bar	Weight kg	Gas Connection	Dimensions in mm							
					A max height	B	C	øD max	ø Spot facing x depth	SW	G connection	
OLG 0.13-50/00 (1)	0.1	50	0.3	8V1	136	16	13	50	33 x 0.5	6 Åats 36 A/F	G ¼" cyl.	
OLG 1-20/00 (2)	1	20	1.6	8V1	210	31	11	107	-	2 Åats 46 A/F	G 1" cyl.	
ELG 4-20/90 3/4" (3)	3.8	20	3.5	8V1	337	28	16	155	73 x 1.5	2 Åats 82 A/F	G ¾" cyl.	
ELG 4-20/90 2" (3)	3.8	20	3.7	8V1	340	40	16	155	73 x 1.5	2 Åats 82 A/F	G 2" cyl.	



Above dimensions are in mm and are subject to manufacturing tolerances.