

■ **Bent axis pumps for industrial applications**

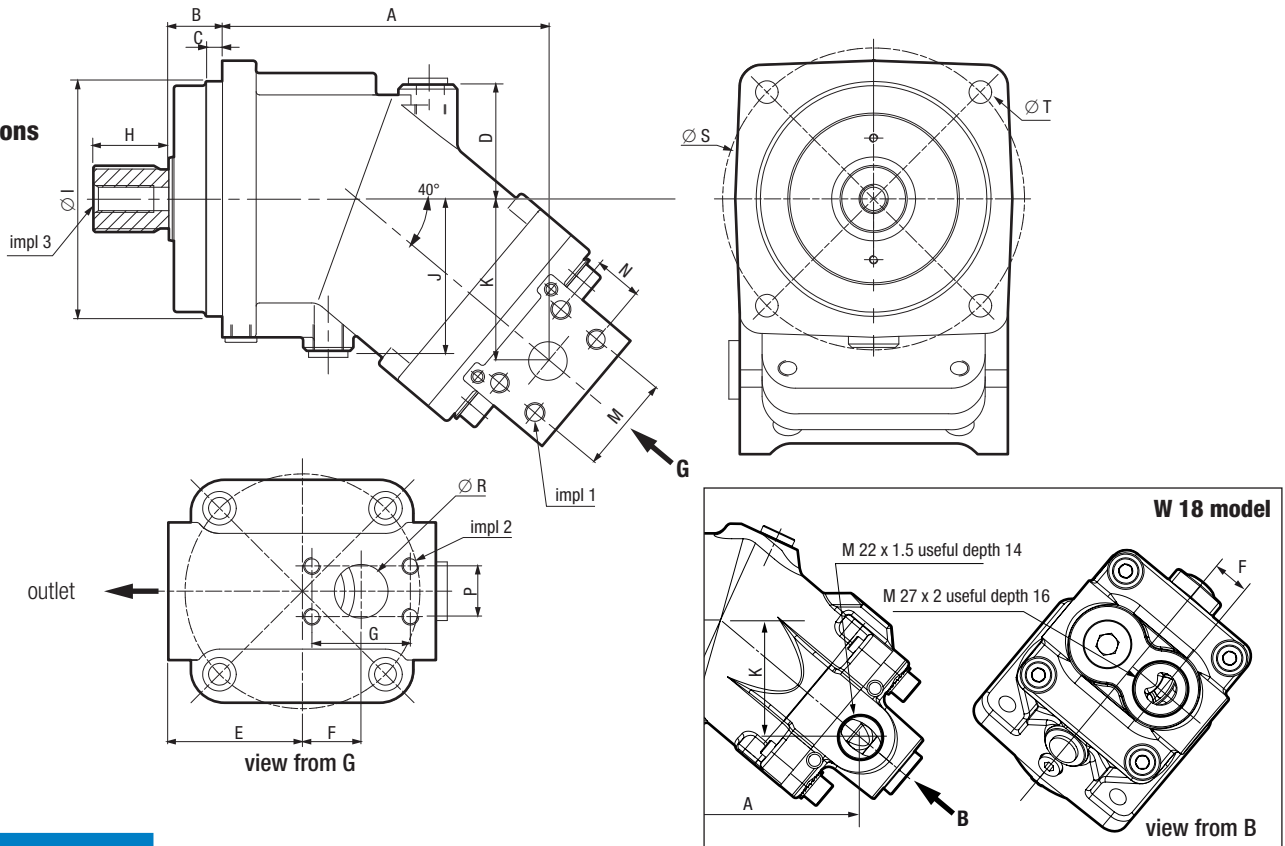
Working pressure 400 bar
 Models from 18 to 108 cc/rev
 Spined or keyed shaft



■ **Performances**

Pump model		Max. speed (rpm)	Max. pressure continuous/peak (bar)	Torque at 350 bar (m.N)	Max. flow (l/min)	Pump min./max. temperature (°C)	Acceptable radial force (N)	Acceptable axial force (N/bar)	Weight (kg)
CW	CCW								
W18 0517430	W18 0517455	3150	350 / 400	98	56.70	-25 / 110	4000	20	5.5
W25 0517360	W25 0517365	2500	400 / 450	140	62.50	-25 / 110	6000	27	11.5
W32 0517370	W32 0517375	2500	400 / 450	175	80.00	-25 / 110	6500	30	11.5
W41 0517380	W41 0517385	2250	400 / 450	227	92.25	-25 / 110	7000	40	11.5
W50 0517390	W50 0517395	2000	400 / 450	280	100.00	-25 / 110	4000	40	18
W63 0517400	W63 0517405	2000	400 / 450	350	126.00	-25 / 110	5000	50	18
W80 0517410	W80 0517415	1800	400 / 450	445	144.00	-25 / 110	6500	60	23
W90 0517240	W90 0517245	1800	400 / 450	497	162.00	-25 / 110	6700	67	23
W108 0517420	W108 0517425	1600	400 / 450	595	172.80	-25 / 110	7000	80	23

Dimensions



Pump model		A	B	C	D	E	F	G	H	I	J	K	M	N	P	R	S	T	T1	T2
W18 0517430	W18 0517455	123.0	20	6	39	44	17	-	27.7	80	51.5	58	-	-	-	-	100	9.0	M12x1.5	M12x1.5
W25 0517360	W25 0517365	146.6	25	8	56	60	22	47.6	43.0	100	68.0	69.8	40.5	18.2	22.2	19	125	11.0	M16x1.5	M16x1.5
W32 0517370	W32 0517375	152.7	25	8	56	60	22	47.6	35.2	100	69.0	73.7	40.5	18.2	22.2	19	125	11.0	M16x1.5	M16x1.5
W41 0517380	W41 0517385	152.7	25	8	56	60	22	47.6	35.2	100	69.0	73.7	40.5	18.2	22.2	19	125	11.0	M16x1.5	M16x1.5
W50 0517390	W50 0517395	172.2	32	10	59	68	30	52.4	40.0	125	84.0	88.2	50.8	23.8	26.2	25	160	13.5	M18x1.5	M18x1.5
W63 0517400	W63 0517405	172.2	32	10	59	68	30	52.4	40.0	125	84.0	88.2	50.8	23.8	26.2	25	160	13.5	M18x1.5	M18x1.5
W80 0517410	W80 0517415	200.2	32	10	68	80	35	58.7	50.0	140	90.5	101.6	57.2	27.8	30.2	32	180	13.5	M18x1.5	M18x1.5
W90 0517240	W90 0517245	200.2	32	10	68	80	35	58.7	50.0	140	90.5	101.6	57.2	27.8	30.2	32	180	13.5	M18x1.5	M18x1.5
W108 0517420	W108 0517425	200.2	32	10	68	80	35	58.7	50.0	140	90.5	101.6	57.2	27.8	30.2	32	180	13.5	M18x1.5	M18x1.5

Pump model		Splined shaft	Cylindrical keyed shaft	Outlet	Impl 1	Inlet	Impl 2	Impl 3
W18 0517430	W18 0517455	W25x1.25x30x18x9g	Ø25 (8 x 7 x 40)	M22x1.5	-	M27x2	-	M8
W25 0517360	W25 0517365	W30x2x30x19x9g	Ø25 (8 x 7 x 40)	SAE 1/2"	M8x1.25 prof 15	SAE 3/4"	M10x1.5 prof 17	M8
W32 0517370	W32 0517375	W30x2x30x14x9g	Ø30 (8 x 7 x 40)	SAE 1/2"	M8x1.25 prof 15	SAE 3/4"	M10x1.5 prof 17	M10
W41 0517380	W41 0517385	W30x2x30x14x9g	Ø30 (8 x 7 x 40)	SAE 1/2"	M8x1.25 prof 15	SAE 3/4"	M10x1.5 prof 17	M10
W50 0517390	W50 0517395	W35x2x30x16x9g	Ø35 (10 x 7 x 50)	SAE 3/4"	M10x1.5 prof 17	SAE 1"	M10x1.5 prof 17	M12
W63 0517400	W63 0517405	W35x2x30x16x9g	Ø35 (10 x 7 x 50)	SAE 3/4"	M10x1.5 prof 17	SAE 1"	M10x1.5 prof 17	M12
W80 0517410	W80 0517415	W40x2x30x18x9g	Ø40 (12 x 8 x 56)	SAE 1"	M12x1.5 prof 17	SAE 1 1/4"	M10x1.5 prof 17	M16
W90 0517240	W90 0517245	W40x2x30x18x9g	Ø40 (12 x 8 x 56)	SAE 1"	M12x1.5 prof 17	SAE 1 1/4"	M10x1.5 prof 17	M16
W108 0517420	W108 0517425	W40x2x30x18x9g	Ø40 (12 x 8 x 56)	SAE 1"	M12x1.5 prof 17	SAE 1 1/4"	M10x1.5 prof 17	M16

Pumps are supplied as standard for clockwise rotation (CW). Please specify with order if you require pumps to be delivered CCW.